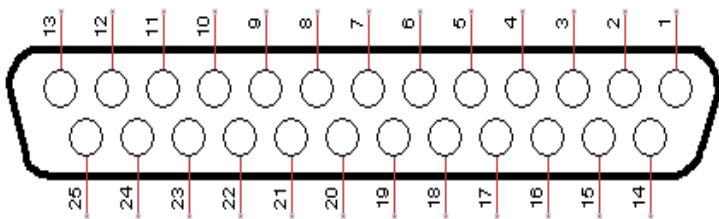


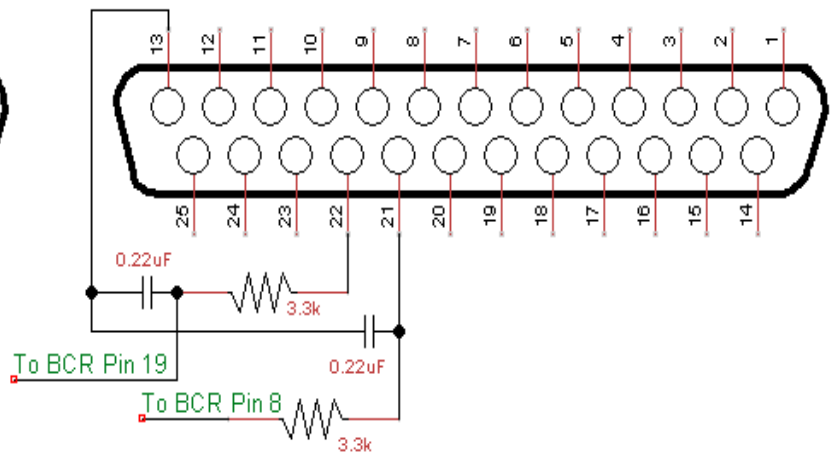
# BCR to URI Cable - 2 ft

BCR Pin Number	BCR Pin Function	Wire Color	URI Pin Function	URI Pin Number
8	Audio Out	White	Audio In	21
17	COR Out	Orange	COS In	8
19	Audio In	Blue	Audio Out	22
20	PTT In*	Brown	PTT Out	1
25	GND	Black & Shield	GND	13

BCR (Back View)

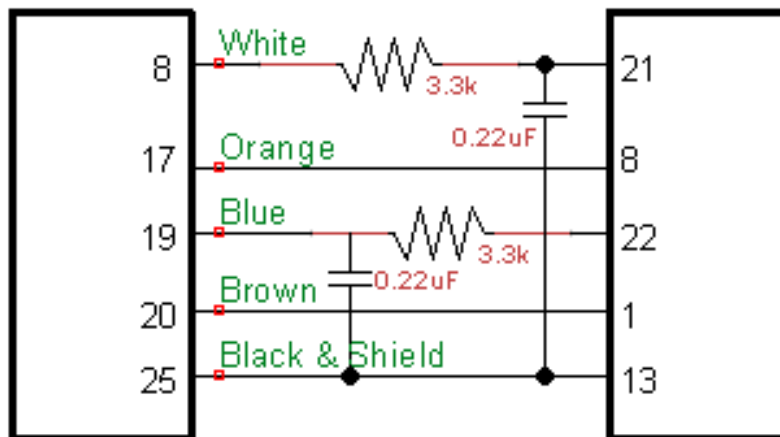


URI MV-1 (Back View)



BCR

URI MV-1



**\*Note - When the external PTT line is engaged, the BCR repeater will transmit with the settings configured in the User 1 slot. Refer to the BCR User manual (Page 8).**