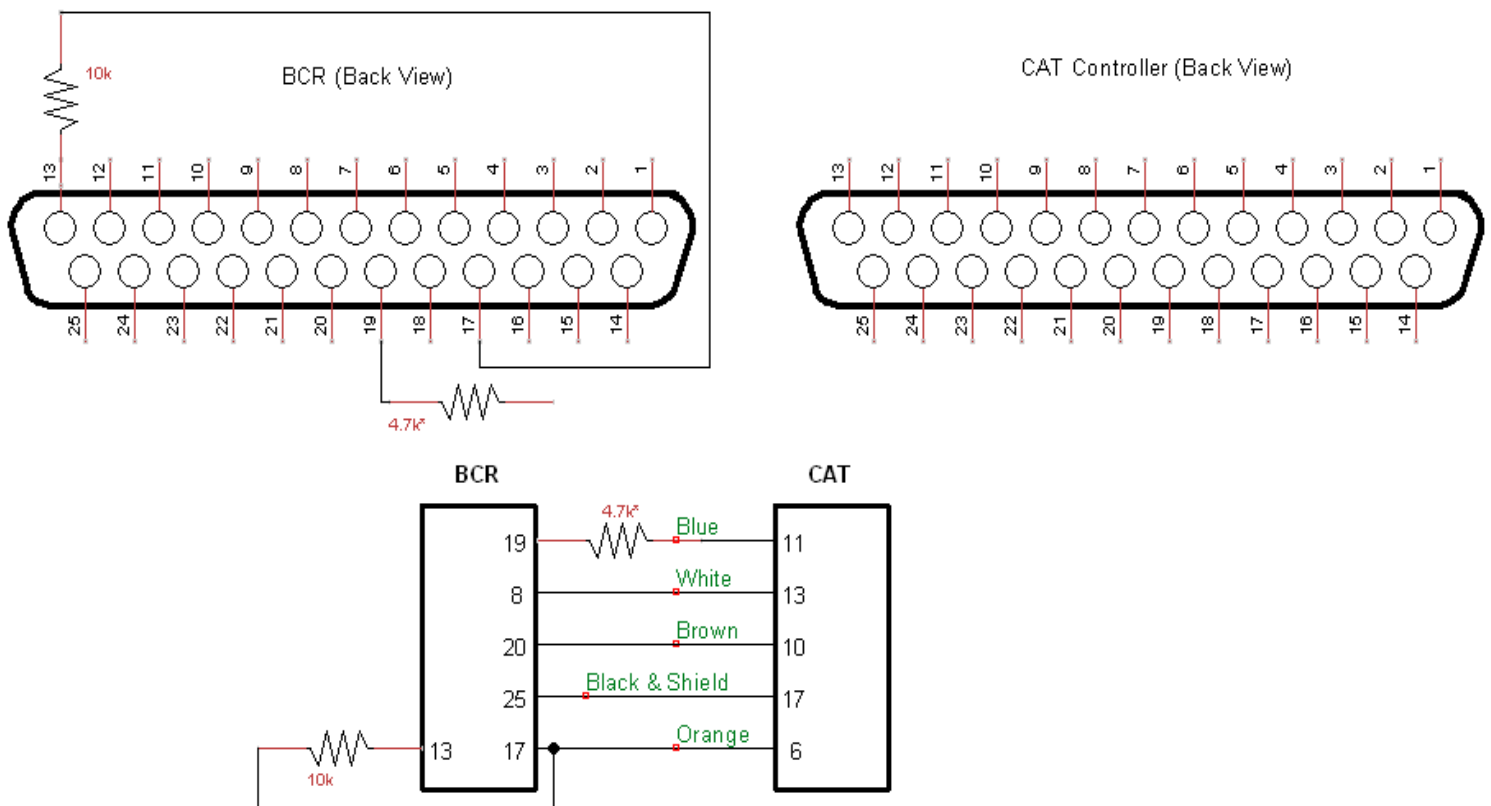


BCR to CAT Controller Cable - 3 ft

BCR Pin Number	BCR Pin Function	Wire Color	CAT Pin Function	CAT Pin Number
25	GND	Black & Shield	GND	17
17	COS Out	Orange	PL Decode Valid (Active LOW)	6
8	Rx Disc Out	White	Rx Audio In	13
19	Tx Audio Input	Blue (Through Series Resistor*)	Tx Audio Out	11
20	PTT Input*	Brown	PTT Out	10

*3.3k - 10k resistor used to pad audio



***Note - When the external PTT line is engaged, the BCR repeater will transmit with the settings configured in the User 1 slot. Refer to the BCR User manual (Page 8).**