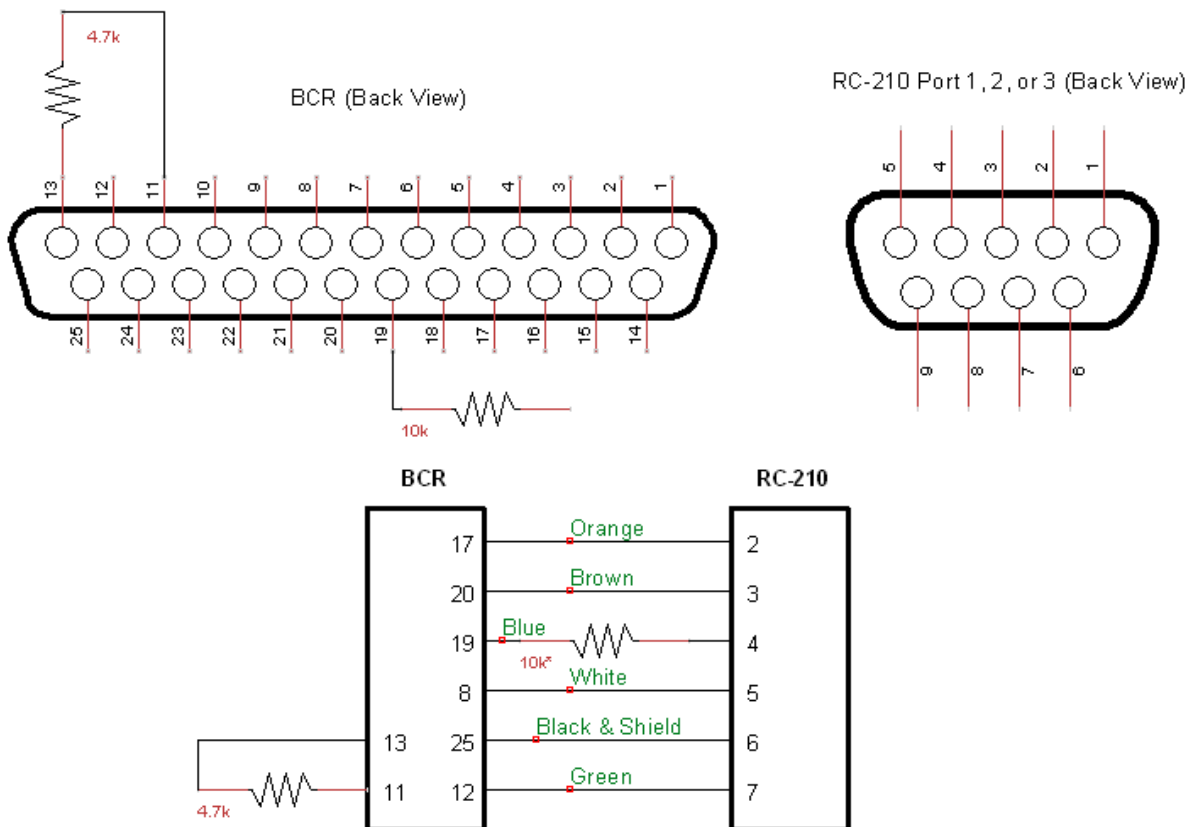


BCR to Arcom RC-210 Cable - 3 ft

BCR Pin Function	BCR Pin Number	Wire Color	Arcom RC-210 Pin Number	Arcom Pin Function
CTCSS Decode Valid LOW	17	Orange	2	CTCSS Decode Input
PTT Input*	20	Brown	3	Tx PTT Output
Tx Audio Input	19	Blue (Through series Resistor*)	4	Tx Audio Output
Rx Audio Discriminator Output	8	White	5	Rx Audio Input
Ground	25	Black & Shield	6	Ground
COS Active HIGH	12	Green	7	Rx COS Input

*3.3k - 10k resistor used to pad audio



***Note - When the external PTT line is engaged, the BCR repeater will transmit with the settings configured in the User 1 slot. Refer to the BCR User manual (Page 8).**